

Cover Valet Installation Instructions

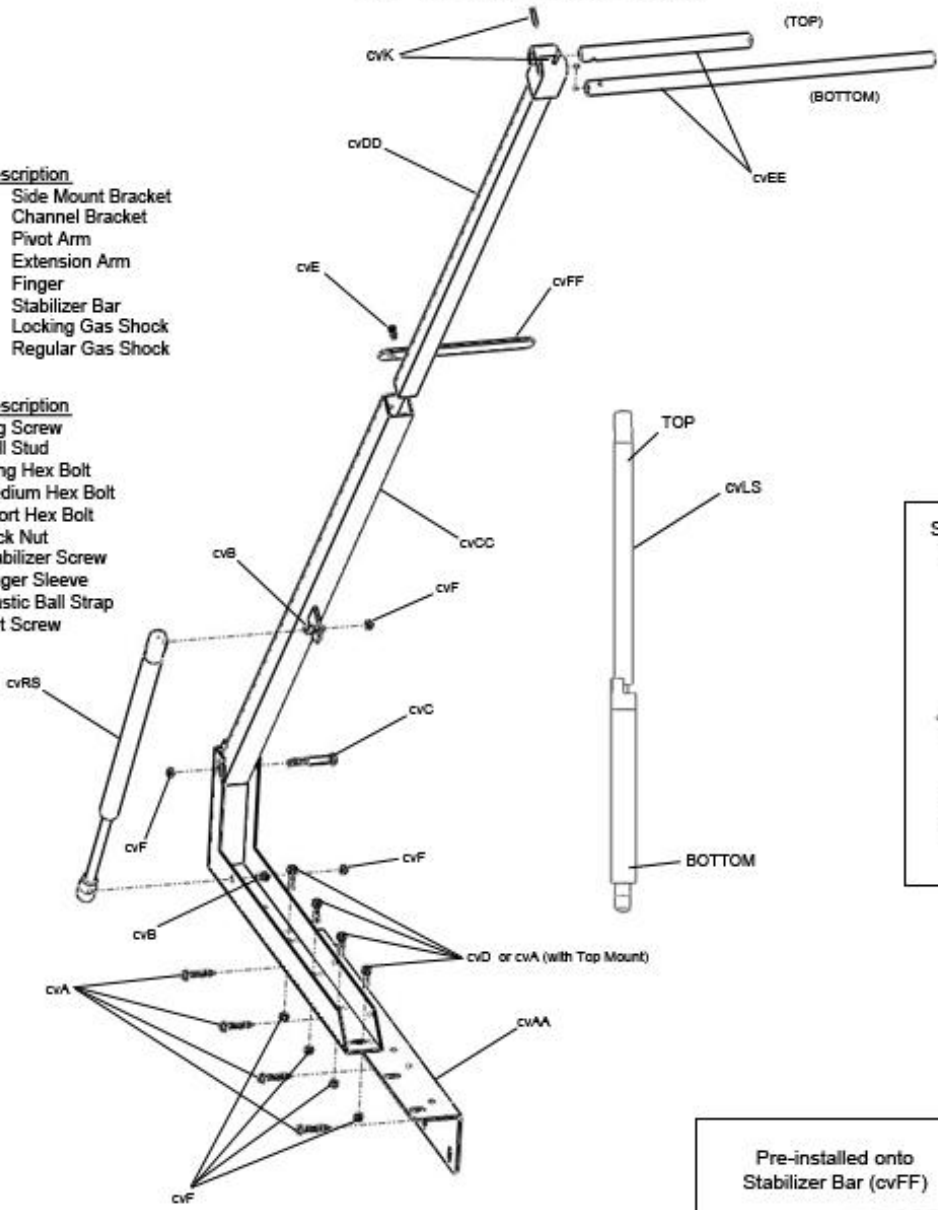
1. Lay out all the parts and verify that they are all present according to the Cover Valet Parts and Hardware List. See Fig 1.

COVER VALET PARTS AND HARDWARE LIST

Call Cover Valet 1-800-730-7727 or (001)(562) 283-0595 for all replacement, missing, and special order parts.
8am - 4pm PST Monday - Friday

Name	Quantity	Part Description
cvAA	2	Side Mount Bracket
cvBB	2	Channel Bracket
cvCC	2	Pivot Arm
cvDD	2	Extension Arm
cvEE	4	Finger
cvFF	2	Stabilizer Bar
cvLS	1	Locking Gas Shock
cvRS	1	Regular Gas Shock

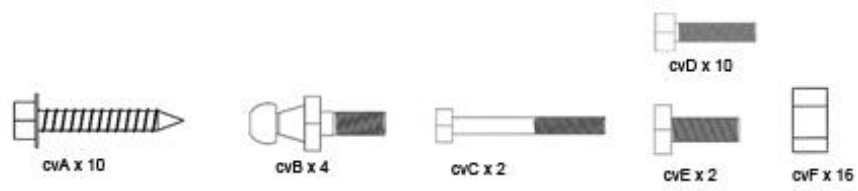
Name	Quantity	Part Description
cvA	10	Lag Screw
cvB	4	Ball Stud
cvC	2	Long Hex Bolt
cvD	10	Medium Hex Bolt
cvE	2	Short Hex Bolt
cvF	16	Lock Nut
cvG	2	Stabilizer Screw
cvH	4	Finger Sleeve
cvJ	1	Elastic Ball Strap
cvK	4	Set Screw



- Recommended Tools**
- *Ruler or Square
 - *Drill w/ bits
 - *Ratchet
 - *3/8" Extended Socket
 - *1/2" Socket
 - *(2) 1/2" Wrenches
 - *7/16" Wrench
 - *Marker

Special Order Side-Mount Brackets Also Available

cvXL
Extra Long Bracket
(For radius corners 13" and above)



Pre-installed onto Stabilizer Bar (cvFF)

Pre-Installed onto Fingers (cvEE)

Figure 1

2. Attach Ball Studs (cvB) to both Channel Brackets (cvBB) with Lock Nuts (cvF). The rounded side of Ball Stud (cvB) should be on the inside of the Channel Bracket (cvBB), repeat this for each side of the spa. Ensure the Ball Stud (cvB) is facing the correct direction. See Fig 2.

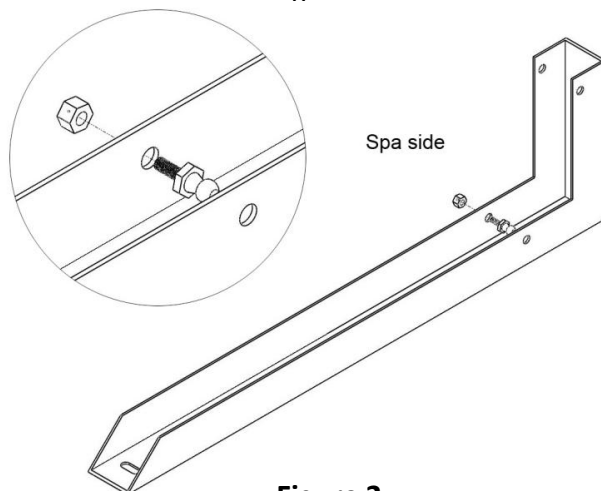


Figure 2

3. Attach Ball Studs (cvB) to both Pivot Arms (cvCC) with Lock Nuts (cvF); repeat this for each side of the spa. Ensure the round part of the Ball Stud (cvB) is facing away from the spa. See Fig 3.

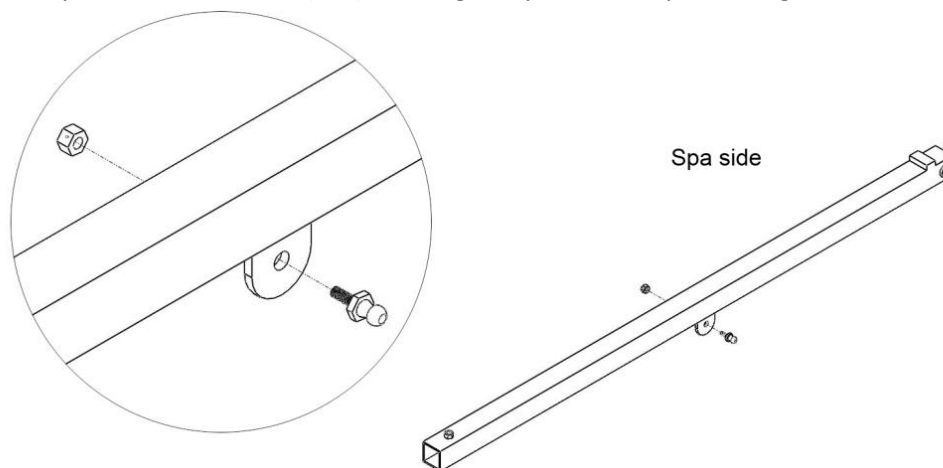


Figure 3

4. Insert the Fingers (cvEE) into the Extension Arms (cvDD) and screw the Set Screws (cvK) through the mounting hole. Take note of the positioning of the Fingers (cvEE). The short Finger (cvEE) should be inserted into the upper opening, repeat this for each side of the spa. See Fig 4.

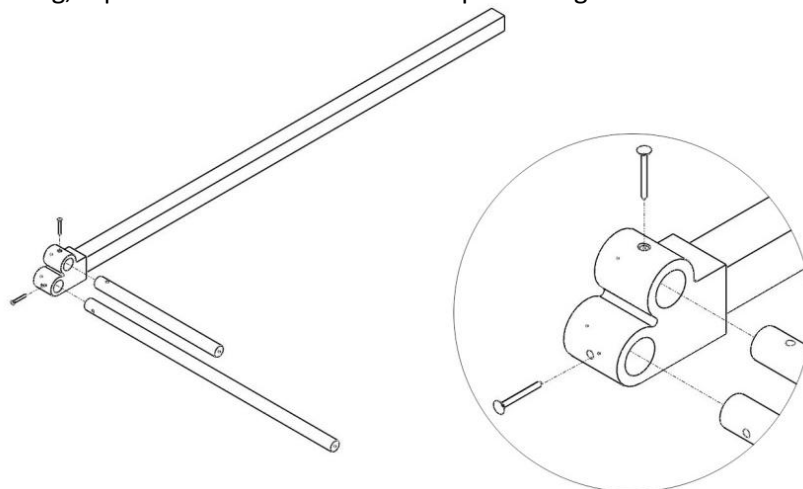


Figure 4

5. Lay the spa cover on top of the spa and center the cover evenly. See Fig 5.

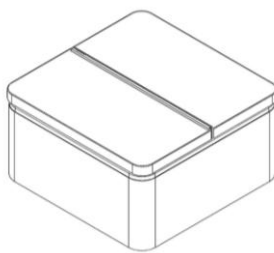


Figure 5

If your spa has decking surrounding the acrylic rim, go to Step 6.

If your spa doesn't have decking surrounding the acrylic rim, go to Step 7.

6. Top Mount Bracket

a. Align the Channel Bracket (cvBB) flush against the rim of the spa. The rear of the Channel Bracket (cvBB) should be 2" from the back edge of the spa, as shown in Fig 6a.

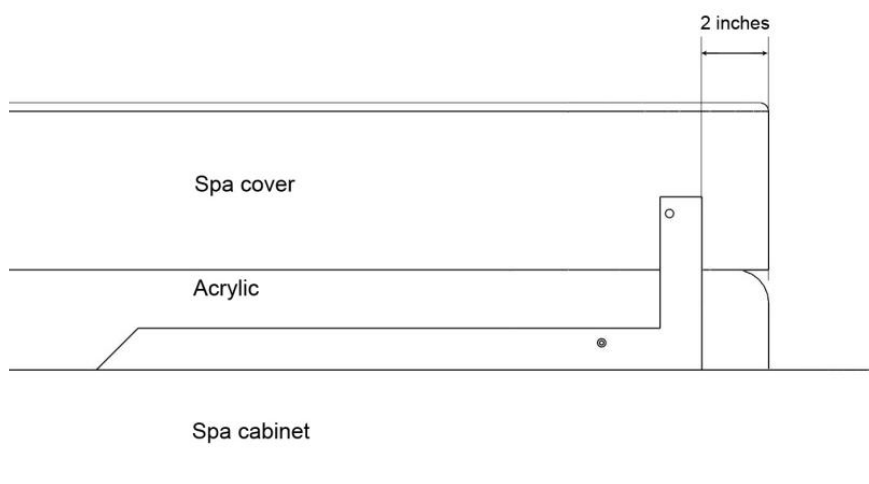


Figure 6a

b. Mount the Channel Bracket (cvBB) to the decking using at least 4 Lag Screws (cvA), make sure to leave room for the cover and the vinyl skirt to fit between the acrylic and the Channel Bracket (cvBB). See Fig 6b.

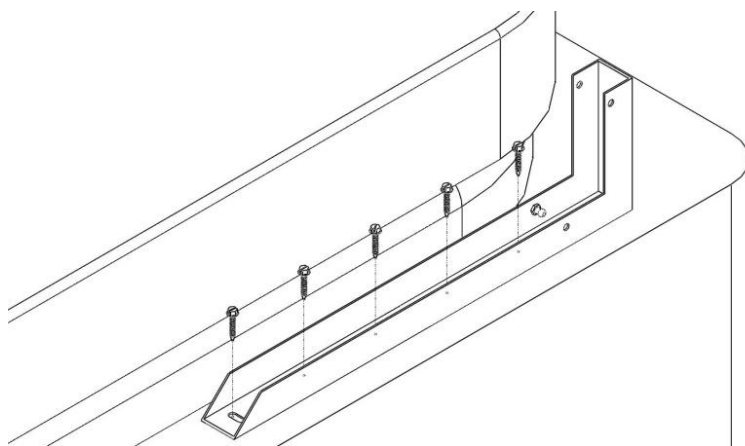


Figure 6b

You should have some parts left over: 2 Side Mount Brackets (cvAA), 10 Medium Hex Bolts (cvD), 10 Lock Nuts (cvF), and possibly 2 Lag Screws (cvA), depending on how many are used on the Channel Bracket (cvBB).

Go to step 8

7. Side Mount Bracket

a. Line up the slotted holes on the Channel Bracket (cvBB) to the Side Mount Bracket (cvAA) and bolt them together using at least 4 Medium Hex Bolts (cvD) and 4 Lock Nuts (cvF). The Channel Bracket (cvBB) should hang over the edge of the Side Mount Bracket (cvAA). Do not tighten the bolts all the way. See Fig 7a.

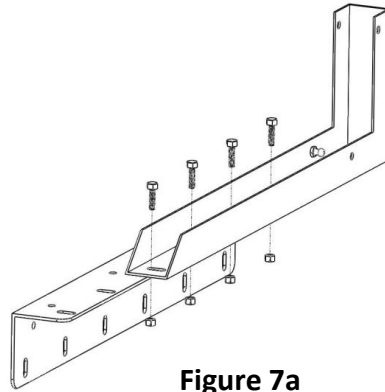


Figure 7a

NOTE: The Side Mount Bracket (cvAA) has one small side and one large side. If your cover is extra wide, mount the Channel Bracket (cvBB) to the large side.

b. Place the bracket assembly against the side of the spa. The Side Mount Bracket (cvAA) must be flush with the side of the spa. **Do Not** allow the Side Mount Bracket (cvAA) to hang over the rounded edge.

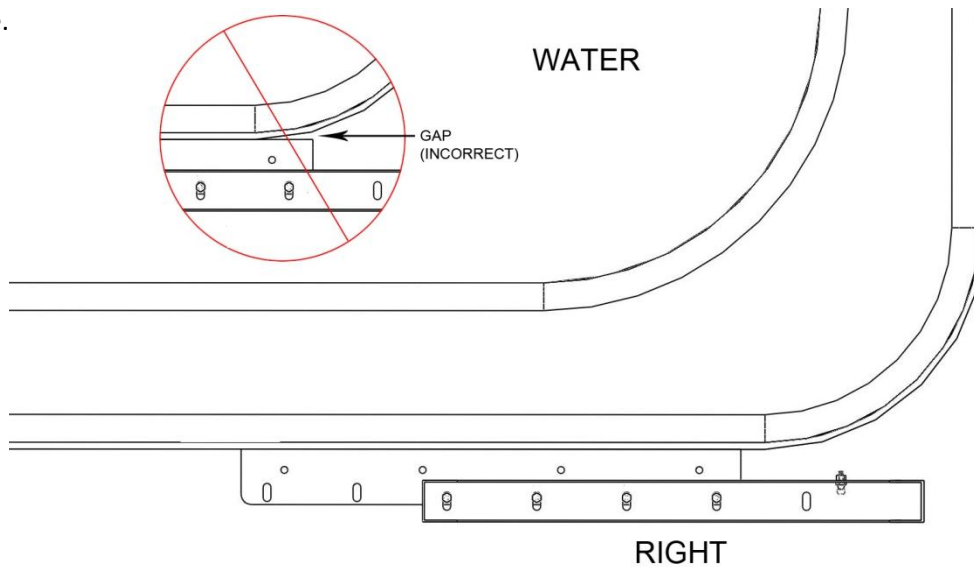


Figure 7b

c. The rear of the Channel Bracket (cvBB) should be 2 inches from the rear edge of the acrylic. The top of the Side Mount Bracket (cvAA) should be flush with the top of the spa cabinet. See Fig 7c.

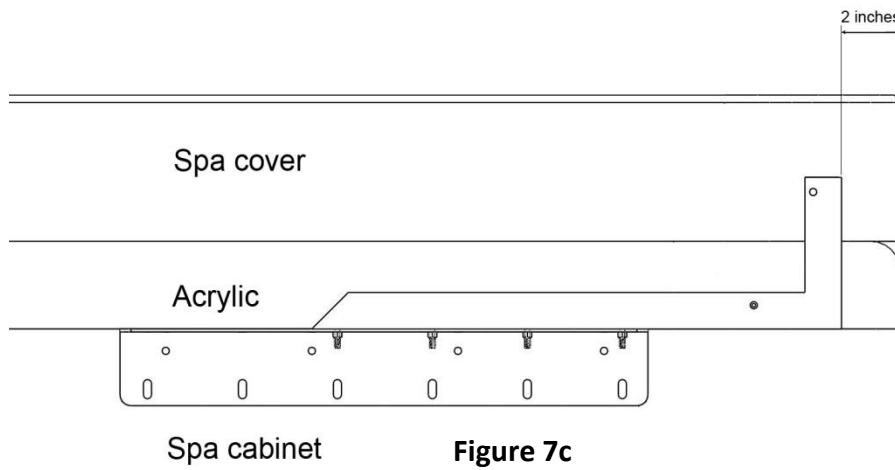


Figure 7c

d. Use the 4 Lag Screws (cvA) to mount the Side Mount Bracket (cvAA) to the side of the spa. Repeat Steps 7a through 7d on the other side of the spa. See Fig 7d. After you install the Lag Screws (cvA) tighten the Medium Hex Bolts (cvD) and Lock Nuts (cvF) holding the brackets together.

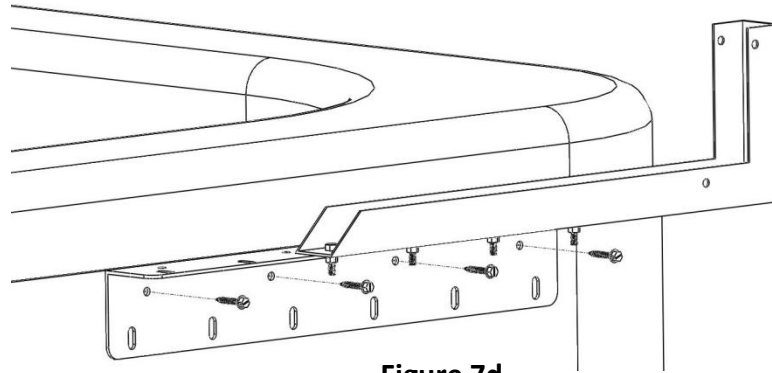


Figure 7d

You should have some parts left over: 2 Lag Screws (cvA) and possibly 2 Medium Hex Bolts (cvD) with 2 Lock Nuts (cvF), depending on the offset of the Channel Bracket (cvBB) and the Side Mount Brackets (cvAA).

Go to step 8

8. Attach the bottom end of the Locking Gas Shock (cvLS) to the Ball Stud (cvB) on the Channel Bracket (cvBB), by snapping the mouth of the shock onto the spherical part of the Ball Stud (cvB) as shown in Fig 8. **Attach the Locking Gas Shock (cvLS) to the side of the spa where you will operate the lift.**

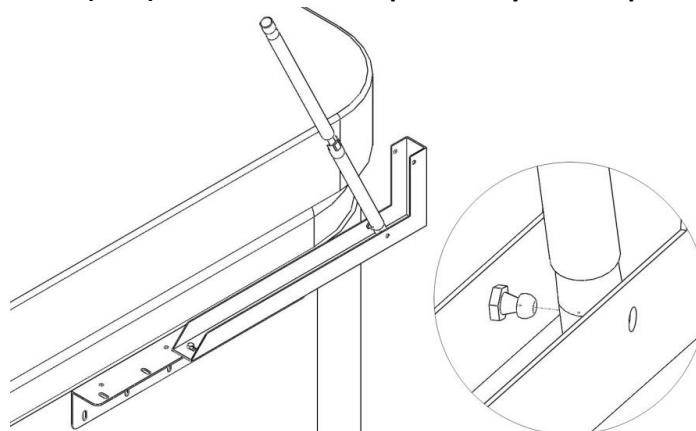


Figure 8

9. Attach the bottom end of the Regular Gas Shock (cvRS) to the Ball Stud (cvB) on the other Channel Bracket (cvBB), by snapping the mouth of the shock onto the spherical part of the Ball Stud (cvB) as shown in Fig 9. Leave the Gas Shocks (cvRS & cvLS) lying in the well of the Channel Bracket (cvBB).

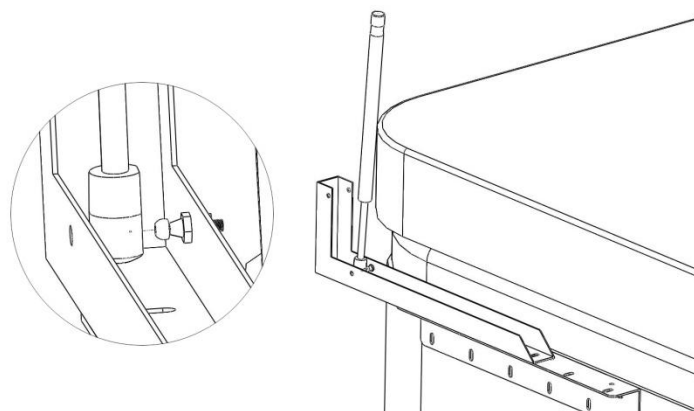


Figure 9

10. Slide the spa cover away from the Cover Valet about 3 or 4 feet. See Fig 10.

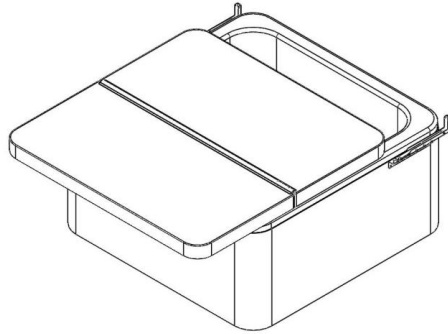


Figure 10

11. Attach the Pivot Arms (cvCC) to the Channel Brackets (cvBB) using the Long Hex Bolts (cvC) and Lock Nuts (cvF). Ensure the Lock Nuts (cvF) are on the outside of the Channel Brackets (cvBB) and the Pivot Arms (cvCC) move up and down easily. See Fig 11. **Do Not Over Tighten the Bolts.**

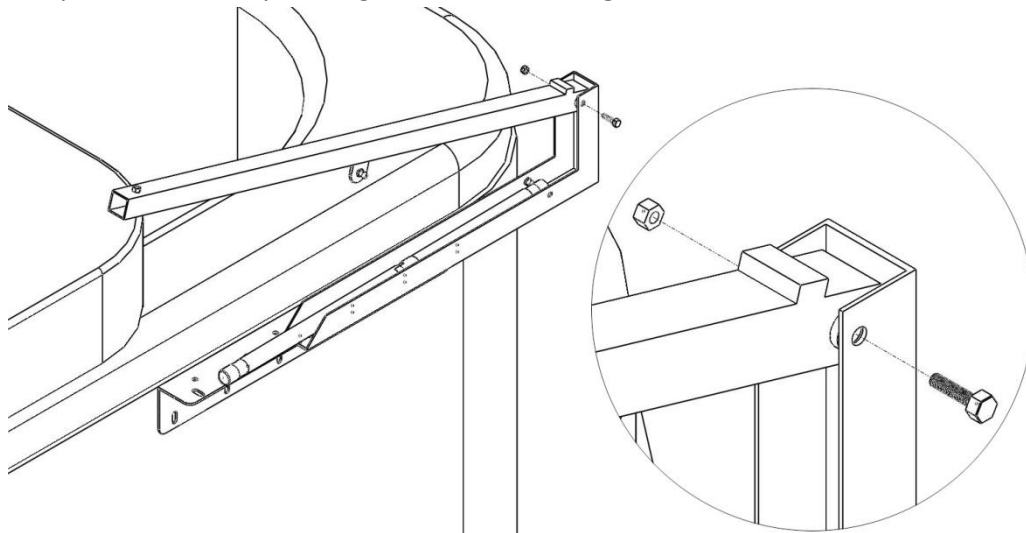


Figure 11

12. Slip the seam in the middle of the spa cover between the Fingers (cvEE) with the Extension Arms (cvDD) pointing towards the Pivot Arms (cvCC). The long Finger (cvEE) should slide under the seam, while the short Finger (cvEE) should lie on top of the seam, and the “knuckle” of the Extension Arm (cvDD) should be facing up. See Fig 12.

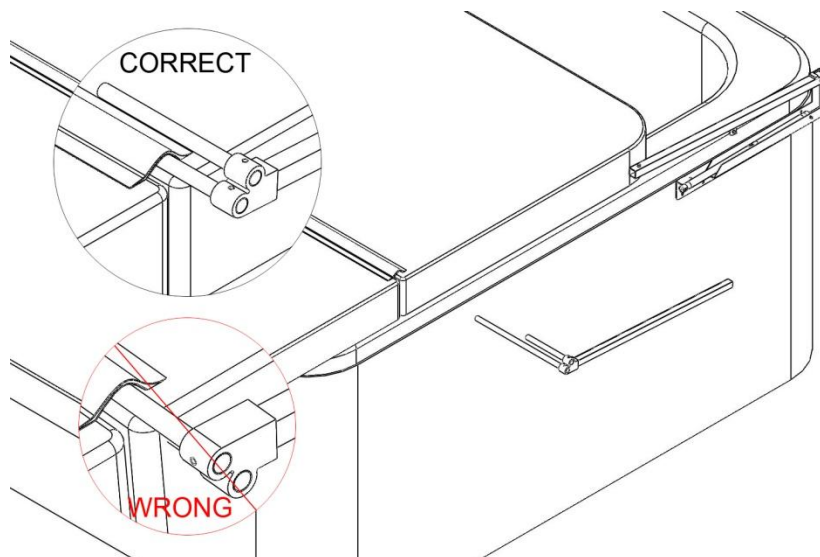


Figure 12

13. Align the Extension Arms (cvDD) so that they will slide into the Pivot Arms (cvCC). Slowly and evenly slide the Pivot Arms (cvCC) into the Extension Arms (cvDD) until the spa cover is centered over the spa, as shown in Fig 13.

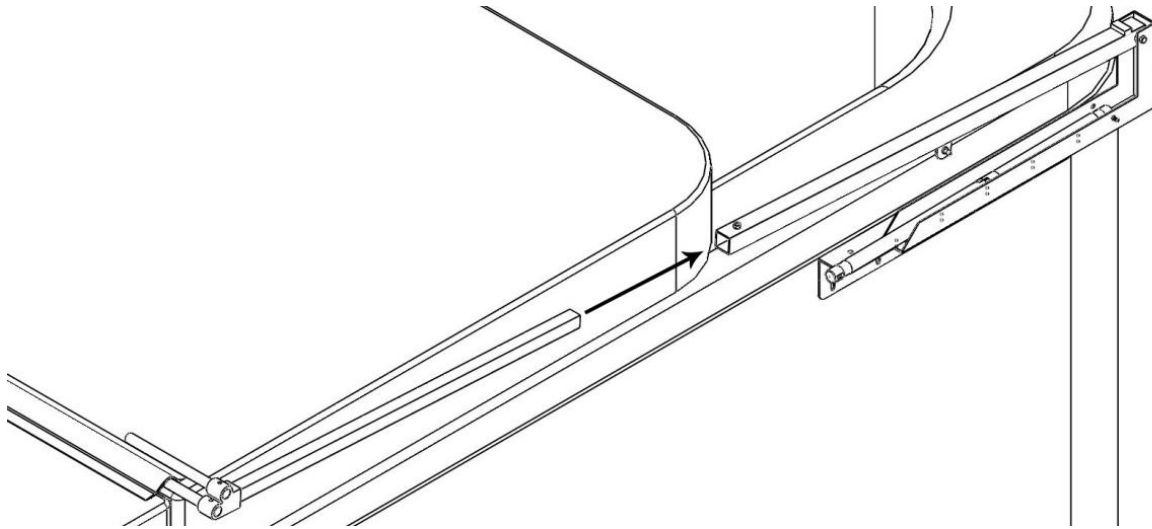


Figure 13

14. Prior to this step, ensure that the cover is centered on the spa (as if closed for the evening). Securely fasten the Stabilizer Bars (cvFF) **and** the Extension Arms (cvDD) to the Pivot Arms (cvCC) with the Medium Hex bolts (cvD). Tighten the bolts to the pre-installed nut on the Pivot Arms (cvCC) just enough so that the Extension Arms (cvDD) will no longer slide in the Pivot Arms (cvCC) and the Stabilizer Bar (cvFF) does not move freely. **Do Not Over Tighten the Bolts.** See Fig 14.

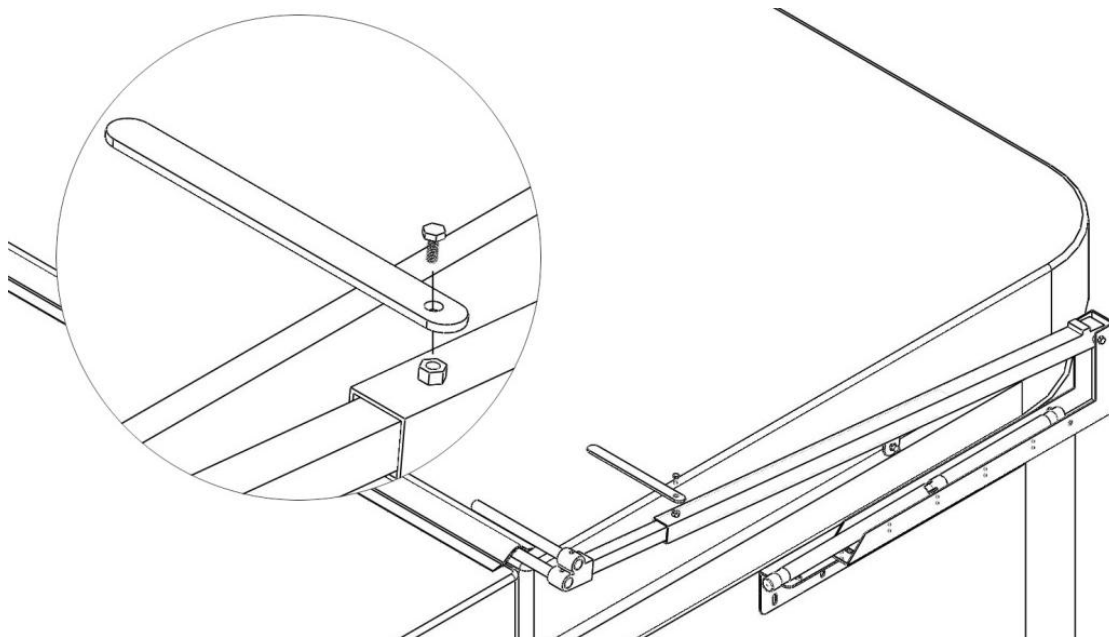


Figure 14

15. Fold back the spa cover onto itself, then manually lift the Cover Valet and spa cover to the upright position. You will need at least one person to help hold the cover. With the cover upright, attach the top end of the Regular Gas Shock (cvRS) to the Ball Stud (cvB) on the Pivot Arms (cvCC). See Fig 15.

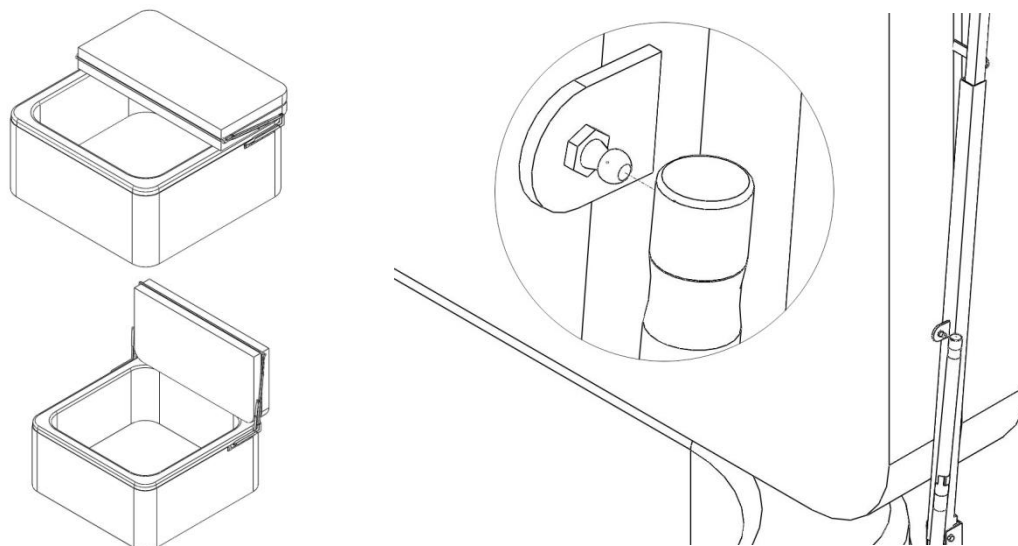


Figure 15

Slowly lower the cover back down and repeat this step on the other side of the spa with the Locking Gas Shock (cvLS).

IMPORTANT: When operating the lifter, make sure you press the orange button on the Locking Gas Shock (cvLS). This will disengage the locking mechanism and allow you to lower the cover back onto the spa. Not disengaging the locking mechanism WILL damage your lifter and/or spa cover.

16. Tie the Elastic Ball Strap (cvJ) to the long finger on the same side as the Locking Gas Shock (cvLS) is located. Use the Elastic Ball Strap (cvJ) to help lower the spa cover. **Do Not Pull on the side flaps of the cover.** See Fig 16.

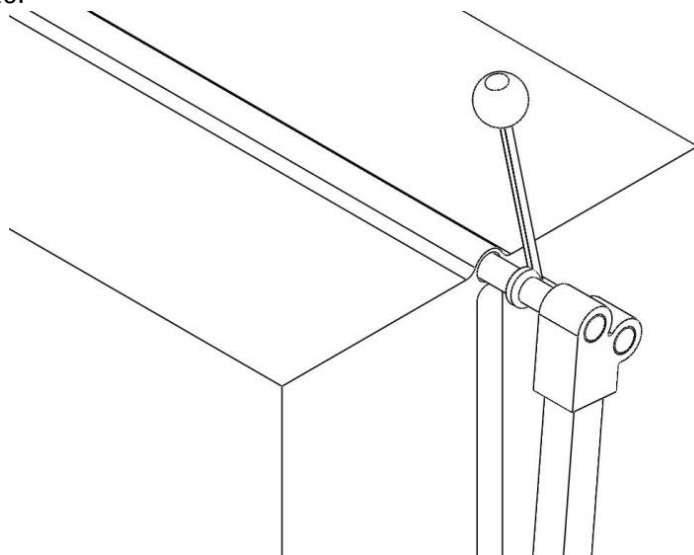


Figure 16

COVER VALET MAINTENANCE INSTRUCTIONS

The Cover Valet was designed for a specific use. The Cover Valet is not designed to BEND, WARP, or to be ABUSE PROOF. **Do Not stand, sit, or lie on, or permit heavyweight to rest on the Cover Valet.** Do not clean with abrasives, solvents, or strong detergents. Most of the hardware has been Zinc coated for durability, but will deteriorate quicker when exposed to high levels of Chlorine, Bromine, Ozone, or other active chemicals. Check nuts and bolts often and tighten if necessary. Any parts showing evidence of wear should be replaced immediately.

Call 1-800-730-7727 or (001) (562) 283-0595 for any replacement, missing, or special order parts.

Caution must be used when operating the Cover Valet in order to maintain its function and longevity. The maintenance and use instructions are provided to prevent damage to the Cover Valet. Damage caused by the failure to follow the maintenance and use instructions will not be covered by the manufacturer's warranty.

COVER VALET USE INSTRUCTIONS

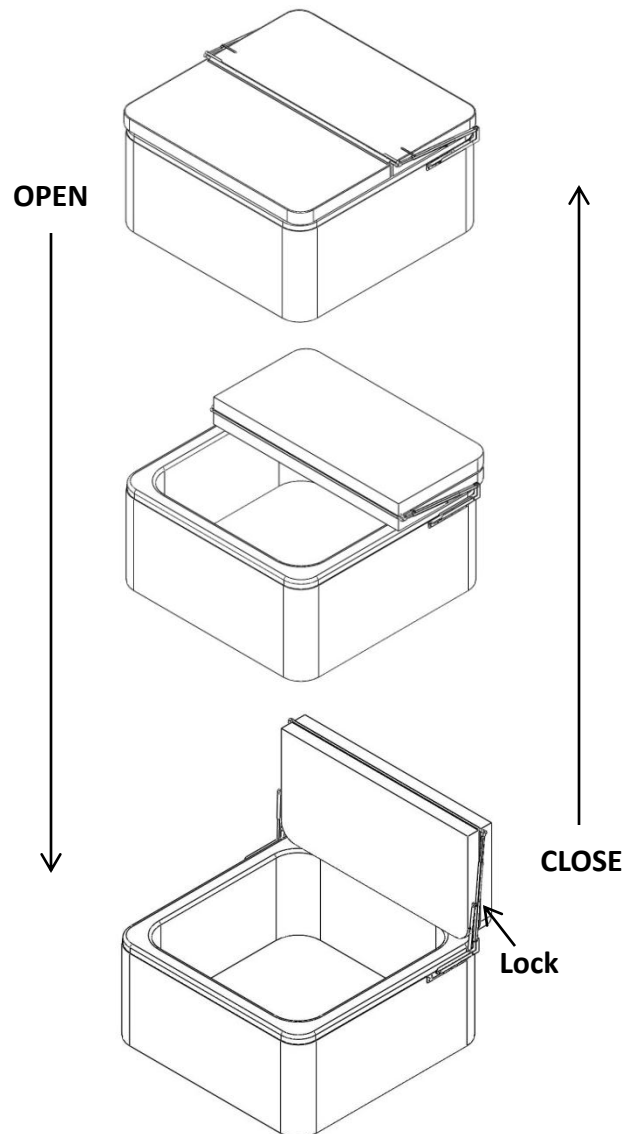
How to **CLOSE** your spa cover using the Cover Valet:

1. With the spa cover in the upright position, **ALWAYS** push and hold-in the orange button on Locking Gas Shock before and during the initial closing your spa cover. Holding in the orange button will keep the locking mechanism "open" and allow the Cover Valet to close your spa cover smoothly. Failure to hold the orange button in while closing the spa cover can cause damage to your Cover Valet, spa, and/or spa cover!
2. Guide the Cover Valet and spa cover down onto the spa slowly. **NEVER** allow the spa cover to fall onto the spa shell unassisted, as it can cause damage to your Cover Valet, spa, and/or spa cover!
3. Unfold the spa cover off itself and engage the spa cover locks if available.

How to **OPEN** your spa cover using the Cover Valet:

1. Unlock the spa cover.
2. Fold spa cover onto itself.
3. Lift Cover Valet and spa cover to upright position by pulling/pushing up and back on the middle of the spa cover and/or Extension Arm. The Locking Gas Shock should "click" signaling the cover is upright.

**NEVER LEAVE AN UNCOVERED HOT TUB OR SPA UNATTENDED.
NEVER LEAVE A COVERED HOT TUB OR SPA UNLOCKED.**





California Home Spas, Inc.
Cover Valet 5-Year Limited Warranty

Any Cover Valet shown to be unserviceable due to defects in materials or workmanship within 5 years from the date of purchase will be repaired or replaced at the option of California Home Spas, INC, without charge for labor or materials. (This excludes the cost of freight to and from the manufacturer).

EXCLUSIONS:

- A. This warranty does not cover damage incurred by the use of the Cover Valet and/or the spa cover, other than in accordance with the printed literature provided by California Home Spas, INC.
B. Defects in components of any part, which are not part of the Cover Valet.
C. Misuse, abuse, negligence, accident, or alterations other than authorized by California Home Spas, INC.
D. Improper installation, normal fading and minor deterioration caused by exposure to the sun, rain, chemicals or environmental factors.
E. Use of solvents, abrasive cleaners or brushes, and strong detergents.
F. Gas shock: 1 year.

Except as expressly provided, there shall be no additional warranty obligation expressed or implied oral or statutory

ADDITIONS:

- A. California Home Spas, INC. shall not be liable for consequential damages or incidental expenses resulting from any breach of the before mentioned warranties.
B. This warranty gives you specific legal rights and you may have other rights which can vary in different states and countries.
C. Any dispute between the Buyer and California Home Spas, INC. pertaining to this warranty may, at the option of the Buyer, be resolved in the State of California, USA, in according to the rules of the American Arbitration Association.
D. Should any one or more of the terms, provisions, covenants, or conditions of this warranty be determined void, invalid, illegal, or unlawful in any respect, then it shall be so, however it will not affect any of the other terms or provisions of this warranty and the remainder hereof shall still be in effect.

COVER VALET WARRANTY REGISTRATION FORM

Complete and return within (10) days. Please type or print clearly. Incomplete and/or unreadable forms may not be registered. You can also register your warranty online at www.covervalet.com

Owners Name: _____
Address: _____
Phone Number: (_____) _____
E-Mail Address: _____
Date of Purchase: _____ Dealer's Name: _____

How did you hear about us?

- 1. Dealer _____ 4. Home Show _____ 7. Other _____
2. Showroom Display _____ 5. Magazine _____ 8. Internet (website) _____
3. Friend _____ 6. T.V. _____

For more information, Please contact us at: Cover Valet
1621 East Spring Street.
Visit us at: www.CoverValet.com Long Beach, CA. 90806 USA

Toll free: 1-800-730-7727
International: (001) (562) 283-0595
E-mail: Questions@covervalet.com